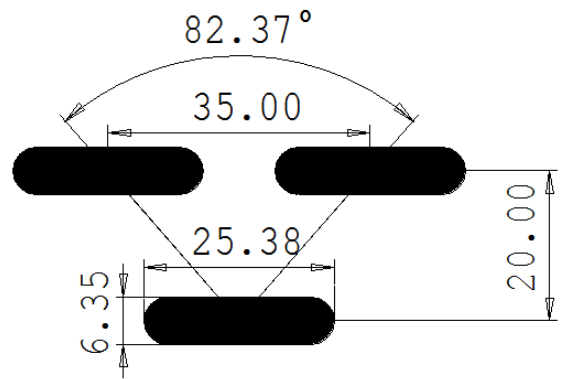



THICKNESS:

MATERIAL:	MINIMUM:	MAXIMUM:
MILD STEEL	0.8MM	3.0MM
STAINLESS	0.8MM	1.6MM
ALUM	0.8MM	3.0MM
GALV	0.8MM	1.6MM



 101 YELLOWBOX DRIVE PH : (03) 9219 0993 CRAIGIEBURN, VIC 3064 Fax: (03) 9219 0994 Email: perf@sjcordell.com.au	PART NO:	SL25463535ST
	HOLE SIZE / TYPE:	25.4 X 6.35-SLOT
	OPEN AREA:	21.8%